

STREACOM™
FC8EVO
USER GUIDE

Page

2.....	Index, Foreword
3.....	Product Overview
4.....	Preparation for Assembly
5 - 6	Installing the Motherboard
7 - 8	Installing the Passive CPU Cooler
9.....	Installing PSU & Other Accessories
10	Wiring Diagram
11 - 12	Installing Hard Drives & Optical Drive
13	Replacing the HDD/ODD Cage
14	Installing PCI Card (Optional)
15	Replacing the Top Panel

Foreword

Thank you for your purchase of this Streacom product. Every care has been taken to ensure that it meets with the highest quality and standards that we have set for ourselves.

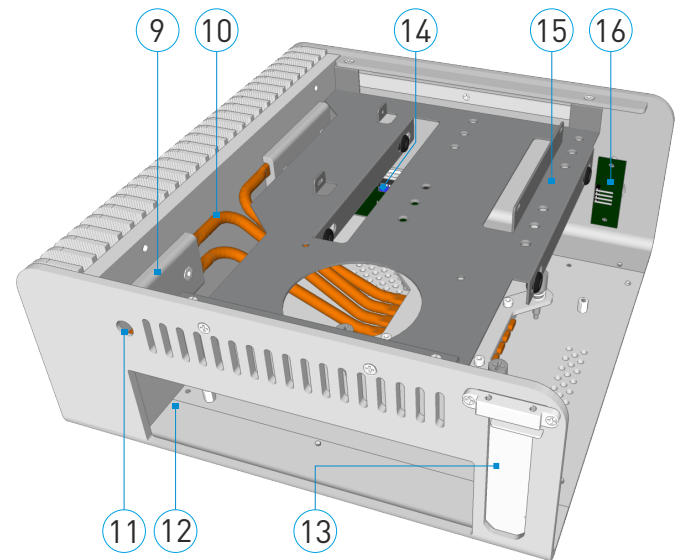
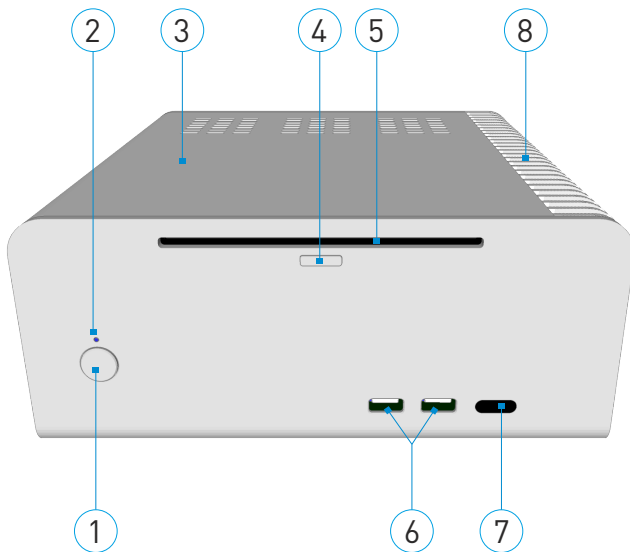
Should you have any questions that are not covered in this user guide, support can be offered via email through our website at www.streacom.com

We sincerely hope that you enjoy using our product!



Specification

Chassis Material	Aluminum
Available Colours	Silver / Black - sandblast finish
Motherboard Compatibility	Mini ITX
HDD Drive Support	1 x 2.5" + 1 x 3.5" or 1 x 2.5" shared bay
ODD Drive Support	Slot loading drive, universal eject button
Cooling Method	Passive - 4 x Heatpipe Direct Touch (95W TDP MAX*)
Front Ports	2 x USB 2.0 (Ungradable to 3.0 with cable sold separately)
Expansion Slot	1 x Low-Profile Expansion Card
Dimensions	240 x 250 x 100mm (WxDxH)
Power Supply Support	Optional Nano150 PSU & AC adapter
IR Solution	Optional MCE Compatible IR Receiver & Remote
Net Weight	2.6KG



Key Features

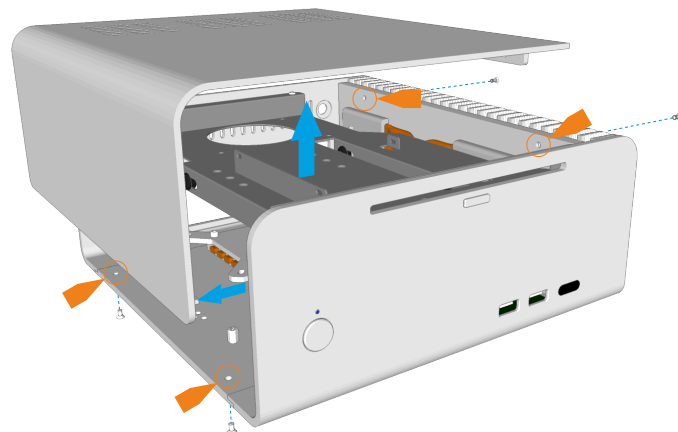
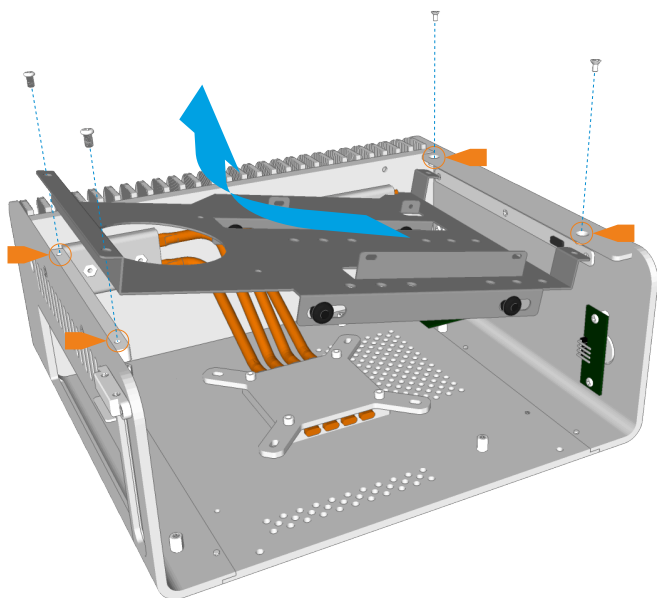
1..... Power Button	7..... IR Receiver Window	13.... PCI Slot (Half-Height)
2..... Power LED	8..... Heat Sink	14.... USB Port PCB
3..... Top Panel	9..... Heatsink Connector	15.... HDD/ODD Cage
4..... ODD Eject Button	10.... CPU Cooler Heatpipe	16.... Power Button PCB
5..... ODD Loading Slot	11.... DC Power Jack Hole	
6..... USB Ports 2.0 & 3.0*	12.... IO Shield Opening	

*Requires USB 3.0 cable which is sold separately

Removing the Top Panel

The top panel is held in place with 4 screws, 2 of which are accessible from the underneath of the chassis and 2 which are accessible between the fins of the heatsink.

Remove the screws and slide the top panel upwards and away from the chassis.

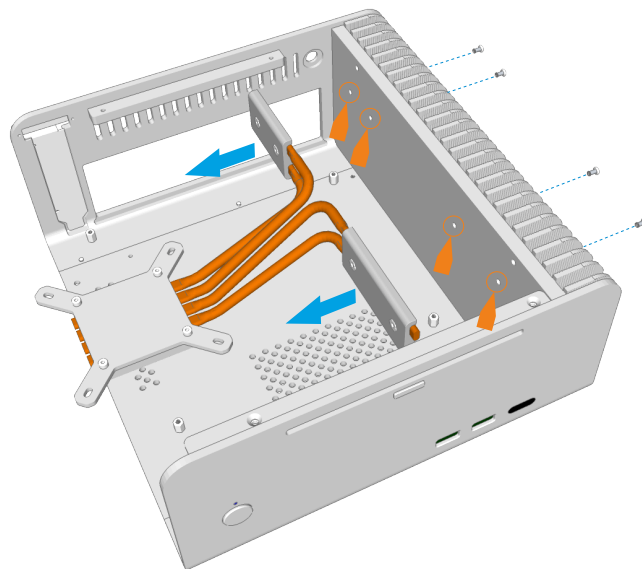


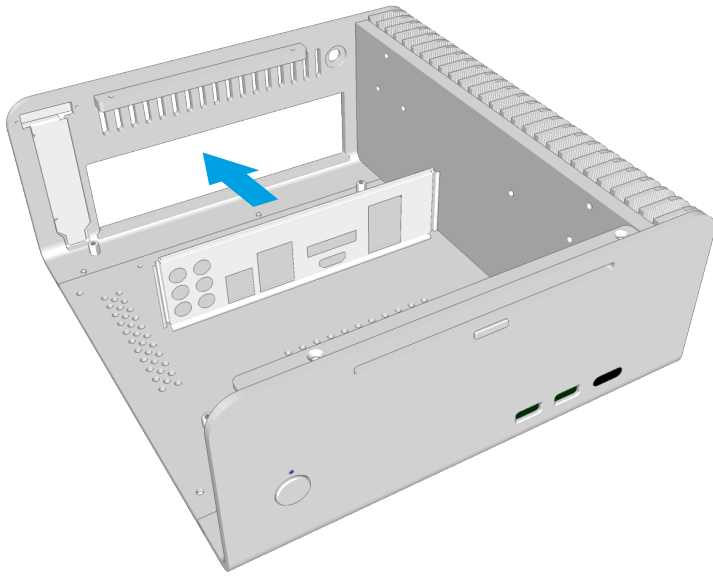
Removing the HDD/ODD Cage

The HDD/ODD cage is held in place by 4 screws which are all accessible from the top as shown. Once all 4 screws are removed, lift the cage out of the chassis.

Removing the CPU Cooler Assembly

The heat pipes are connected to the chassis using 2 connector blocks which are held in place with a total of 4 screws (2 for each block). Unscrew all 4 screws which are accessible between the fin of the heatsink.



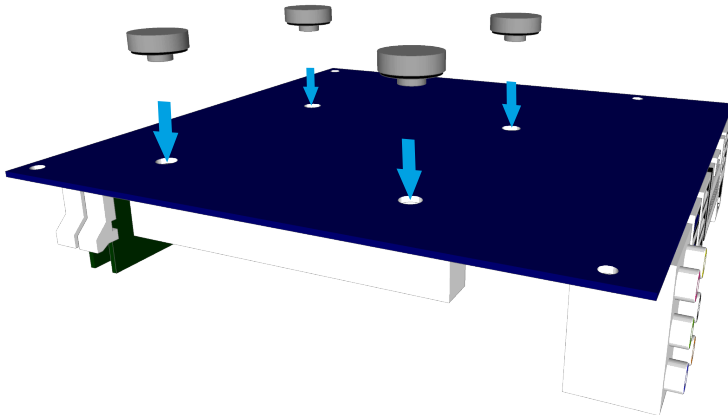


Installing the I/O Shield

Locate the I/O shield that is supplied with your motherboard and firmly push it in place. Ensure that it clicks in place fully otherwise the motherboard will be difficult to fit.

Fit the CPU Cooler Mounting Nuts

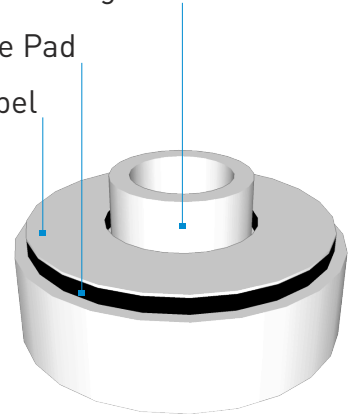
The kit includes 4 mounting nuts which should be attached to the motherboard prior to fitting it inside the chassis. The nuts are held in place by adhesive pads and will be required later to mount the CPU cooler.



CPU Cooler Mounting Nut

Adhesive Pad

Protective Label

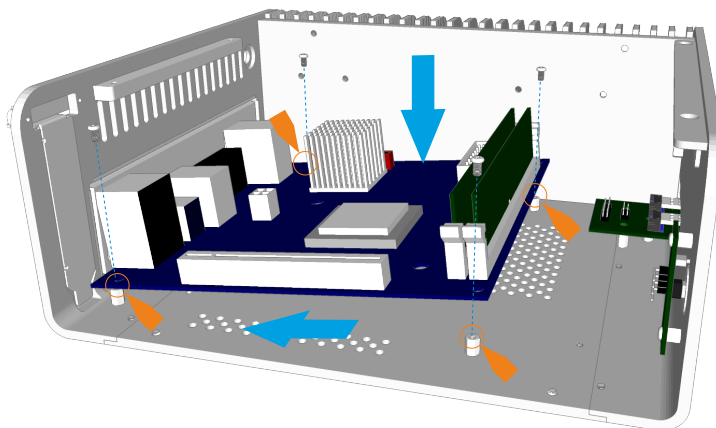


With the motherboard upside down, located the 4 CPU cooler mounting holes. Peel the protective label off the mounting nuts and stick them to the underside of the motherboard ensuring they correctly align with the holes. The raised rim of the nut should fit inside the motherboard hole.

Installing the Motherboard

Carefully lower the motherboard into the chassis, with the I/O port side leading so that the ports can fit into the I/O shield.

When the motherboard is correctly in position, fix it to the chassis stand-offs using the screws provided. Ensure that all the holes correctly align before fully tightening the screws.

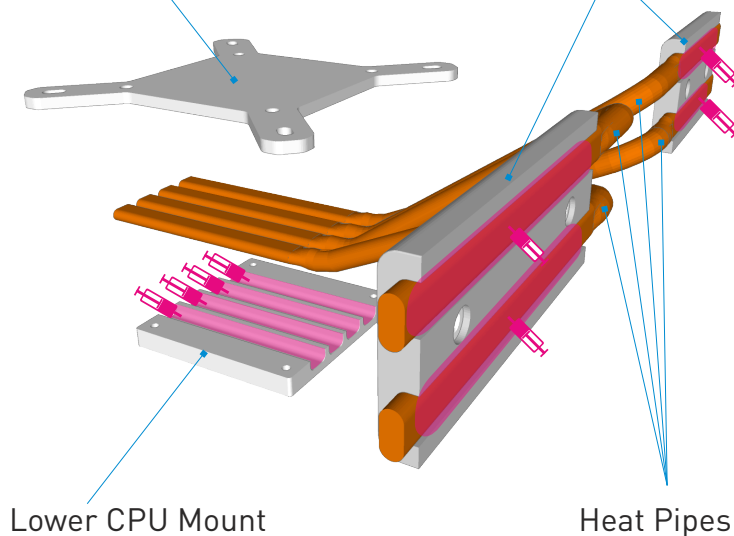


Upper CPU Mount
(Intel® or AMD® type)

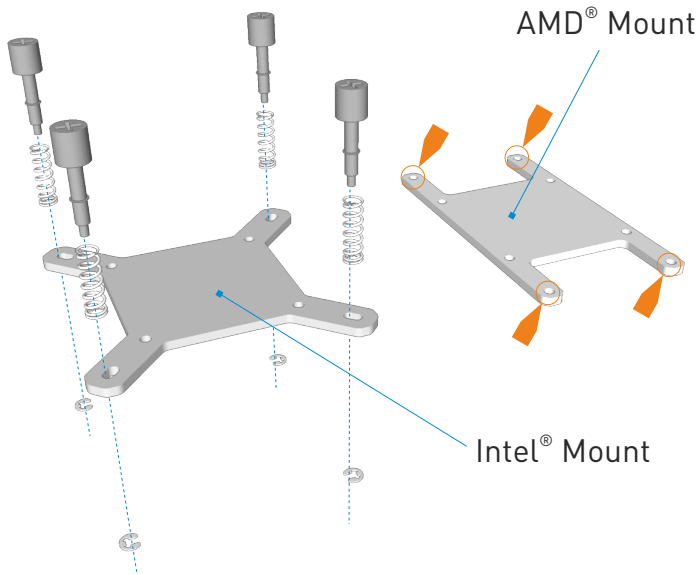
Heatsink Connector
Blocks

CPU Cooler Overview

The passive CPU cooler comprises of 3 main parts. The CPU mount which fixes to the CPU & motherboard, the heat pipes that transfer the heat, and the heatsink connector blocks that fix the heatpipes to the chassis side panel (heatsink).



In order to ensure efficient heat transfer, thermal paste should be applied to the surfaces shown. Do not apply the thermal paste until the parts are ready to be installed.



Assemble the Upper CPU Mount

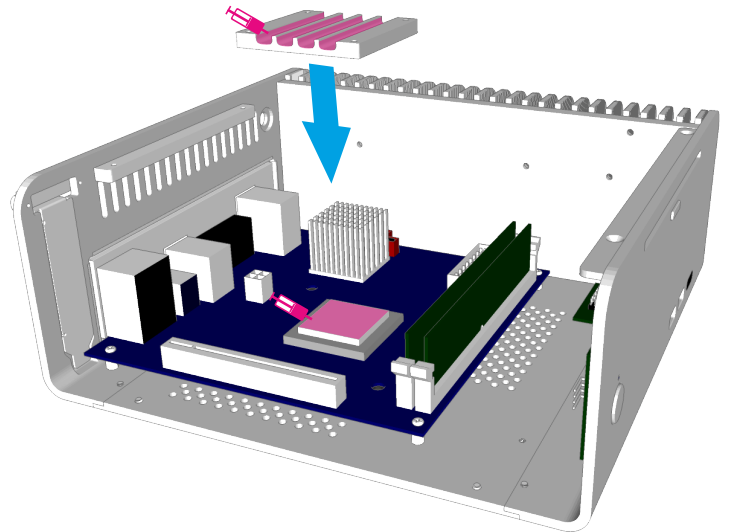
Depending on which type of motherboard and CPU socket you have purchased, you will either need to assemble the Intel® or AMD® type upper CPU mount. You do not need to assemble both.

The mount is assembled as shown with the long CPU retention screws, springs and C clips attached to the outer arms of the mount..

Affix the Lower CPU Mount

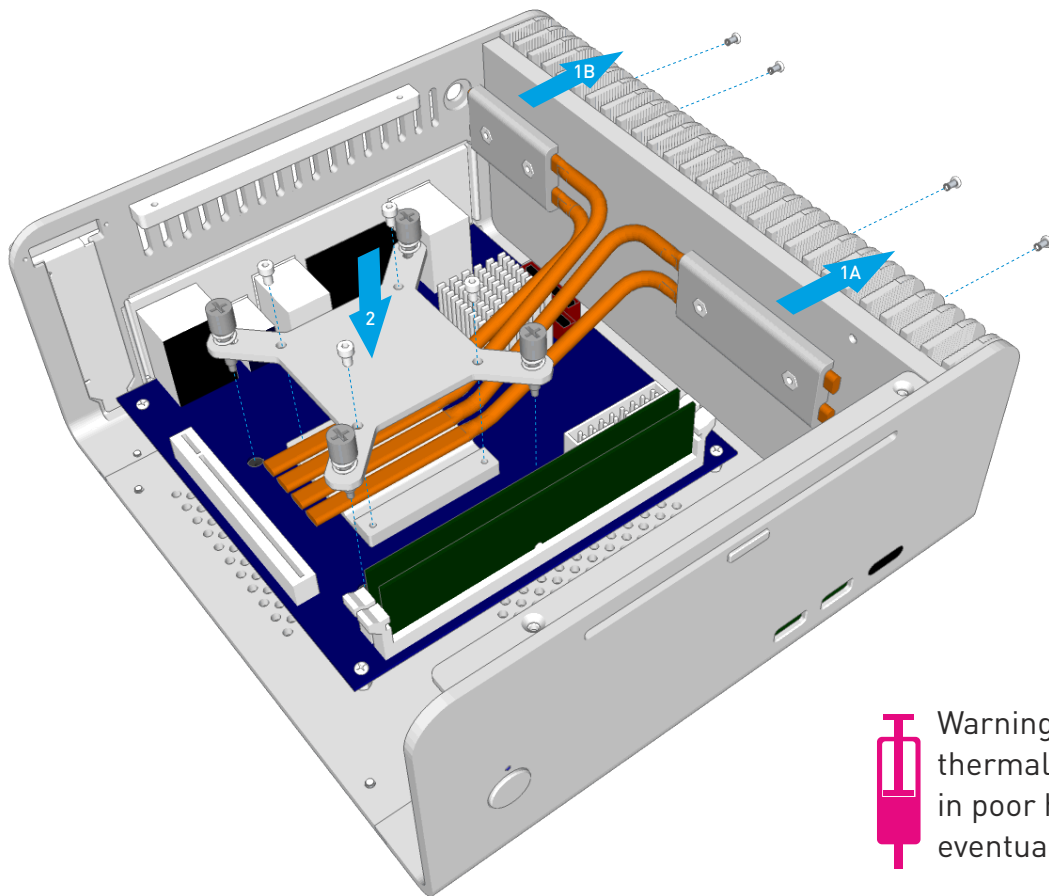
Apply a thin and even layer of thermal paste to the surface of the CPU then carefully position the lower CPU mount onto the CPU ensuring it is centrally located. The heatpipe grooves should be facing in the direction of the heatsink.

Thermal paste can also be applied to the heatpipe grooves in perpetration for the next step.



Installing the CPU Cooler Assembly

1. Attach the heatsink connector blocks and heatpipes to the chassis. We recommend fitting one side at a time (pairs of heatpipes). Secure the connector blocks with 2 screws ensuring the heatpipes align and sit accurately in the grooves of the lower CPU connector. Do not fully tighten the screws.
2. With all 4 heatpipes attached, position the upper CPU connector onto the lower CPU connector, sandwiching the heatpipes between them and secure upper and lower parts together using the HEX screws and allen key supplied. Do not fully tighten the screws.
3. Ensuring the 4 spring loaded screws correctly align with the CPU cooler mounting nuts (you installed earlier under the motherboard), carefully tighten each screw (one turn each side, alternating sides) until fully secured. You can now fully tighten all the screws.

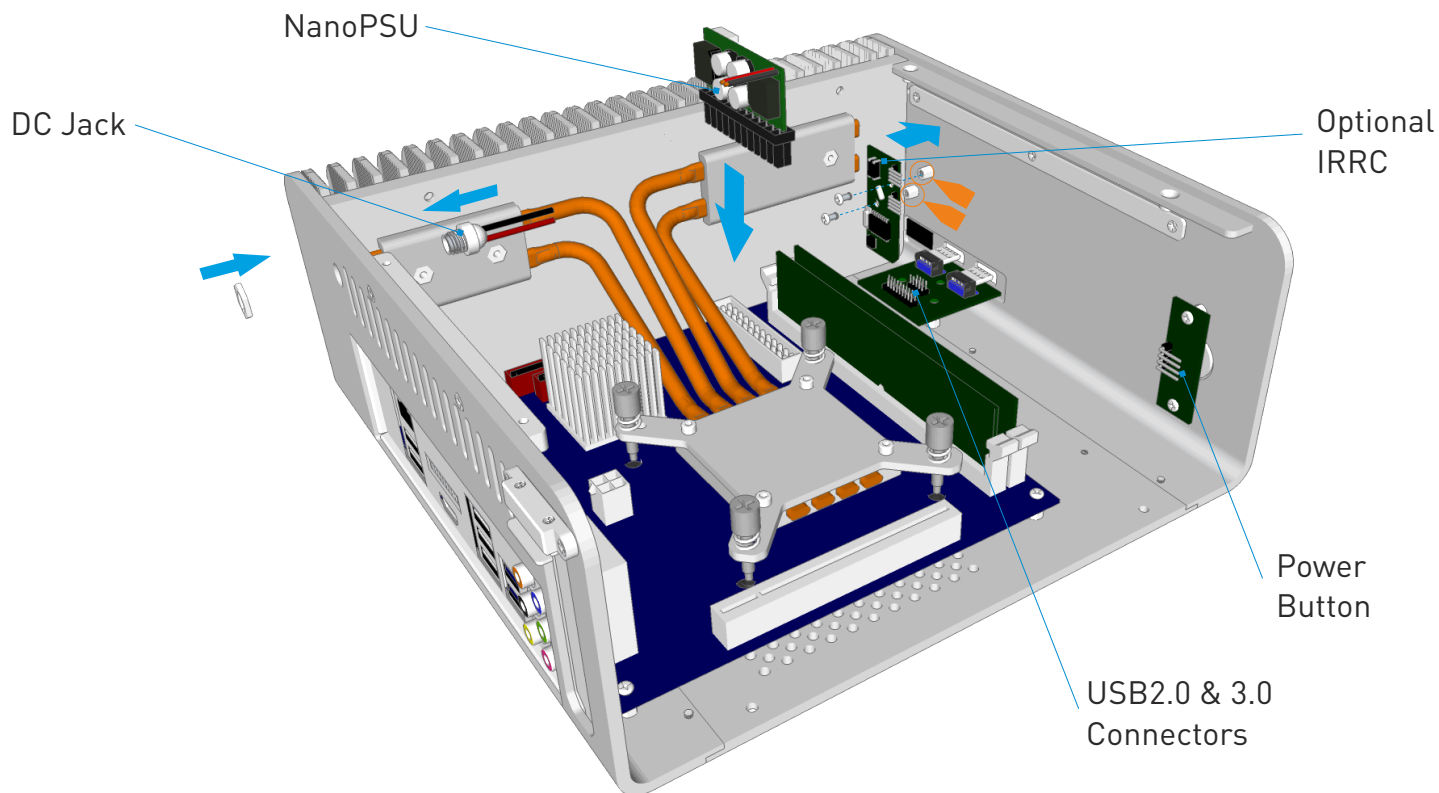


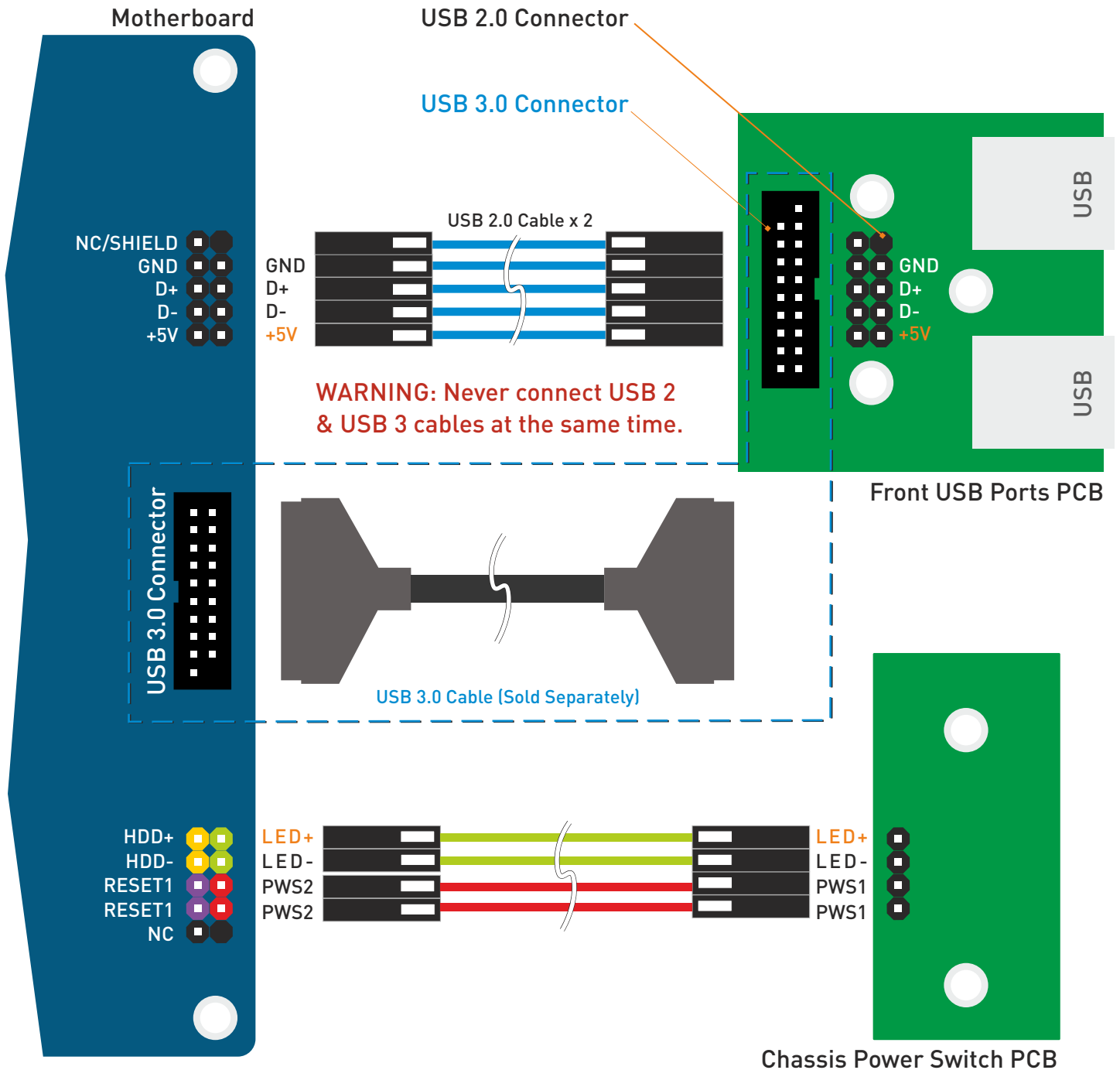
Warning! Do not forget to use thermal paste, as this can result in poor heat transfer and eventual CPU damage.

Connect the PSU, Optional IR & Other Cables

With the motherboard and CPU cooler in place, you can now connect the PSU and any other internal connections such as the SATA cables in preparation for installing the HDD/ODD cage assembly. For more details on installing the PSU and IRRC, see the user guides supplied with those accessories.

Connect the front USB ports and the power button switch to the motherboard. As the majority of current motherboards do NOT support an INTERNAL USB3.0 header, this case is only supplied with the USB2.0 cable. Customers that do purchase a USB3.0 compatible motherboard must purchase the internal USB3.0 cable separately. See diagram on next page for wiring details.



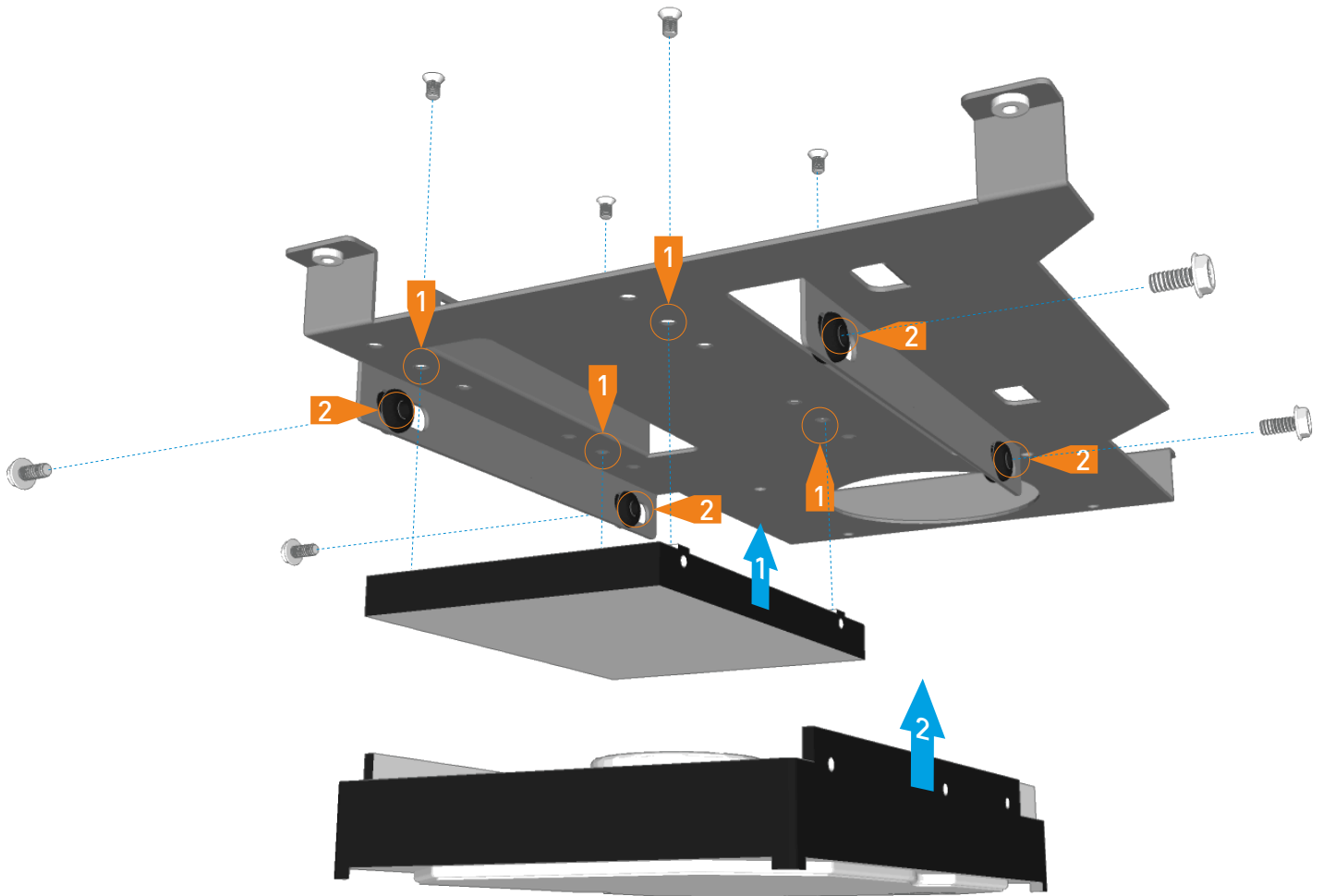


Cable colours shown are for illustrative purposes only, actual colours will vary.

Fitting the Lower Hard Drives

With the cage out of the chassis, begin by fitting the lower hard drive. This procedure can be skipped if you only plan to install a single 2.5" hard drive.

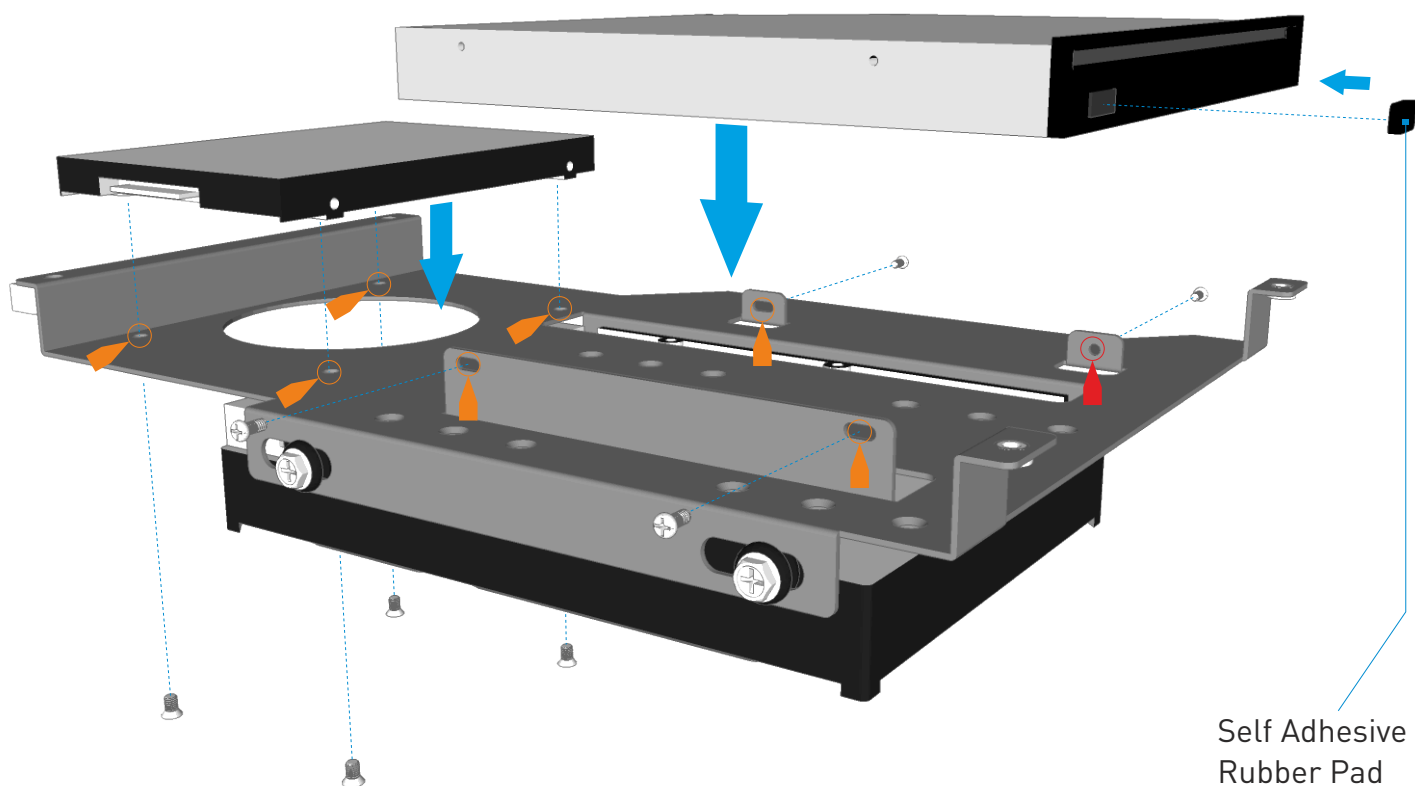
The lower mounting can accommodate either 1 x 3.5" or 1 x 2.5" hard drive. Depending on which drive you are using, use the appropriate screws and mounting holes as shown. Please also ensure that the CPU cooler fitted to the motherboard is low profile to allow for the extra height of a 3.5" drive.



Fitting the Primary Hard Drive & Optical Drive

Before fitting the slot loading drive, affix a self adhesive rubber pad (included in the accessory bag) to the drives eject button. Mount the slot loading drive using 4 screws, 2 either side. Do not fully tighten the screws as the position of the drive will need to be adjusted to ensure correct operation of the eject button. With left side eject buttons, 2 pads may be required (one on top of the other to increase the thickness).

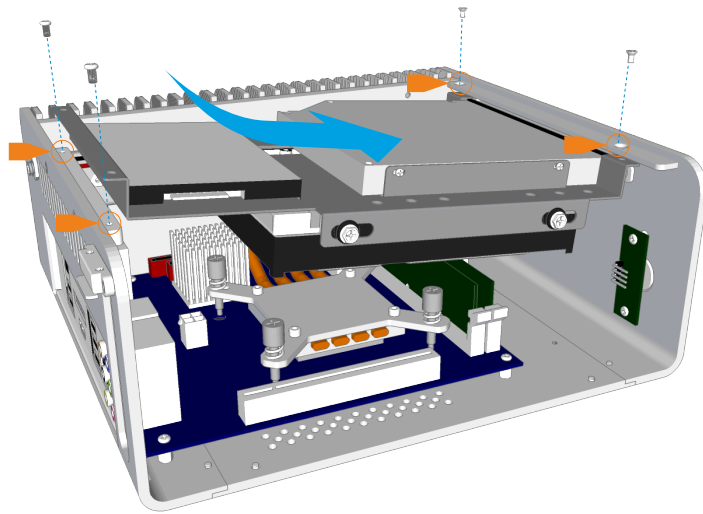
The primary 2.5" hard drive is mounted behind the optical drive using 4 screws as shown in the diagram.



Replacing the HDD/ODD Cage

With all the drives now fitted to the cage, carefully lower it into the chassis. Note that the front mounting points are under the screw holes and the back are above.

Replace the 4 screws to secure the cage in place, and make sure that all drives cables are accessible and easy to connect.

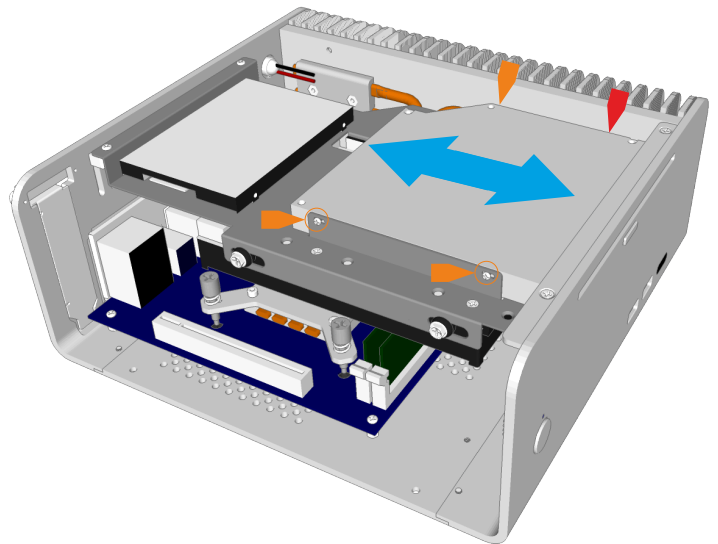


Adjust the position of the optical drive so that the drive eject button makes light contact with the chassis eject button bar.

Test that the button operates correctly by listening for the eject button 'clicking' sound when pressing the chassis eject button.

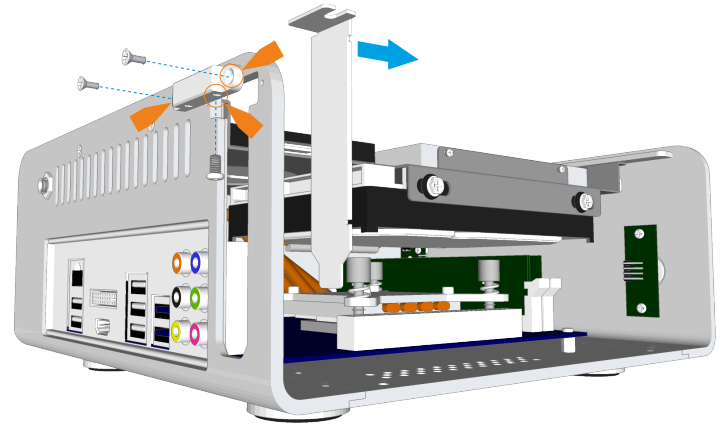
Once the correct position has been found, tighten the 4 screws to secure the optical drive in place.

If the drive requires a larger amount of travel than is allowed by the mounting holes, you can fully remove the screw marked with the red arrow.

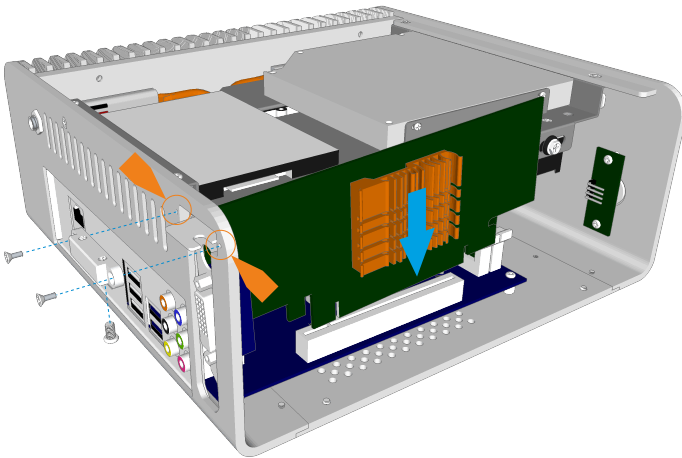


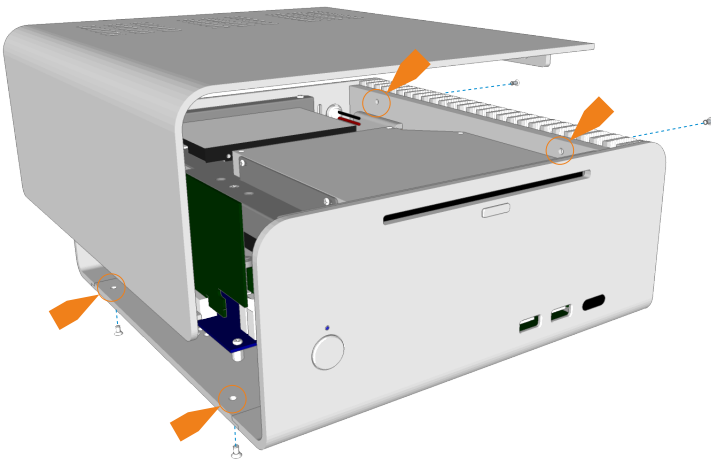
Installing PCI Card (Optional)

To install the low profile expansion card, first remove the pre-installed PCI blanking plate by removing the single lower screw. The PCI mount can also be removed to make it easier to install the expansion card. This is done by removing the 2 screws either side on the PCI mount.



Carefully place the card into the motherboard slot ensuring the rear side (where the ports are located) firstly passes through the expansion slot opening of the chassis. Once the card is fully seated into the motherboard, replace the PCI mount and finally secure the card with the single screw to the mount.





Replace the Top Panel

With all the components installed, the chassis can now be closed. Prior to doing this, ensure that all cables are connected and all components are securely fitted. Replace the top panel and secure it in place using 4 screws, 2 from under the chassis and 2 from the side between the heatsink fins.



Connect Power & Other Cables

With the chassis now fully assembled, all that remains is to connect the power and other cables.

When choosing a suitable place to position your chassis, please consider an area with adequate air flow and a moderate room temperature.

STREACOM